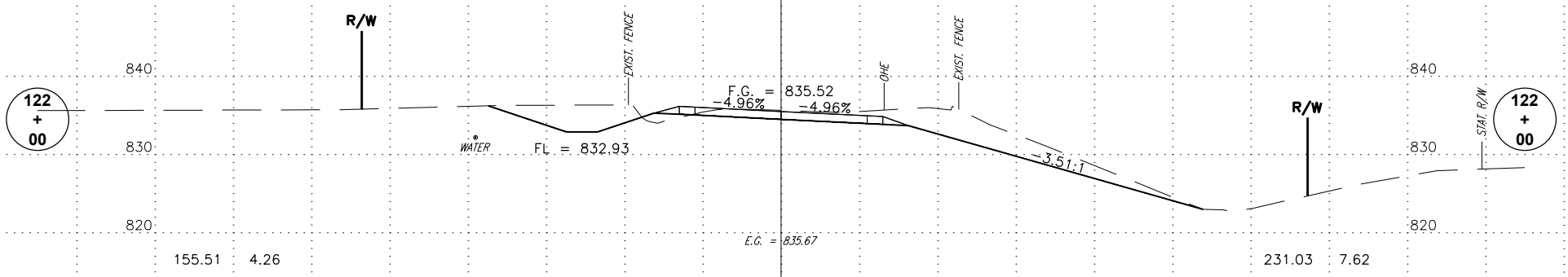


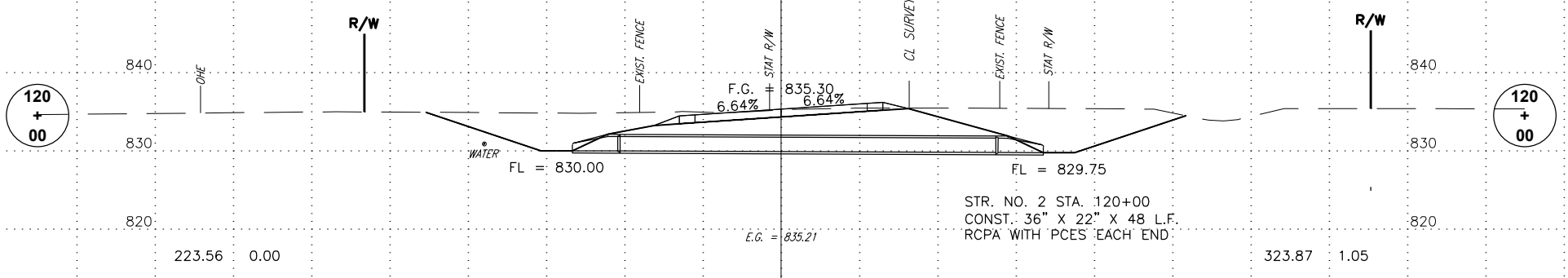
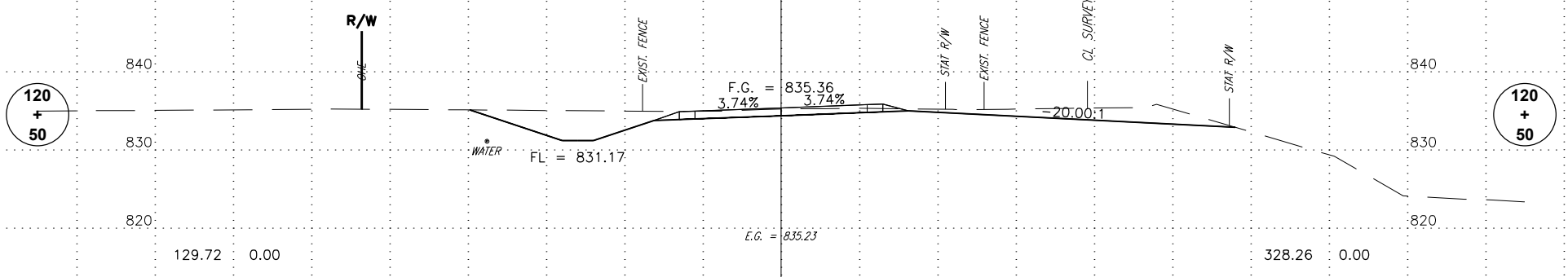
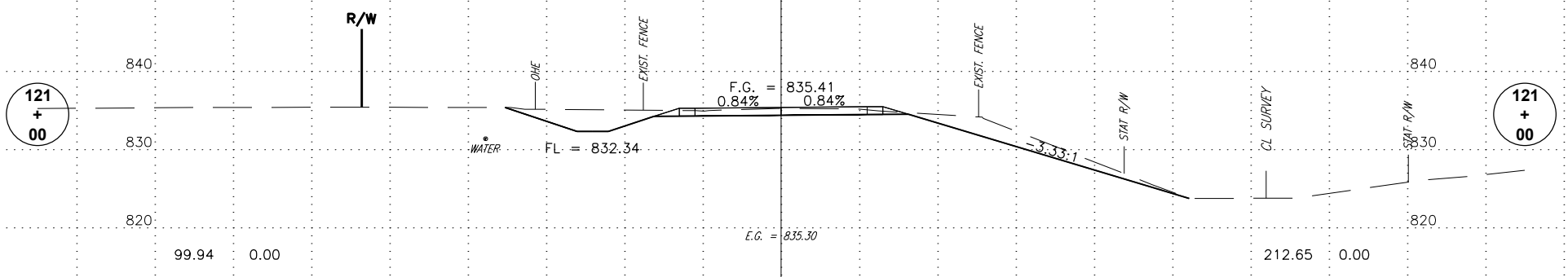
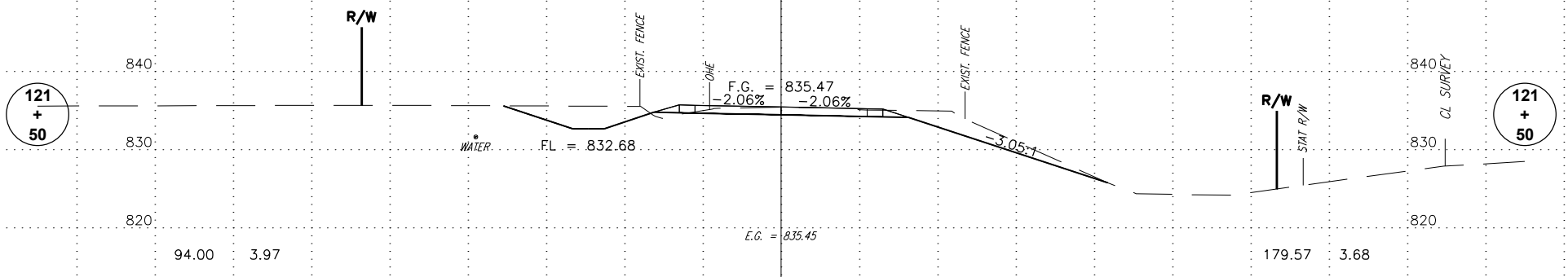
100 90 80 70 60 50 40 30 20 10 C.R.L. 10 20 30 40 50 60 70 80 90 100

AREA  
S.F.  
EXC. EMB.

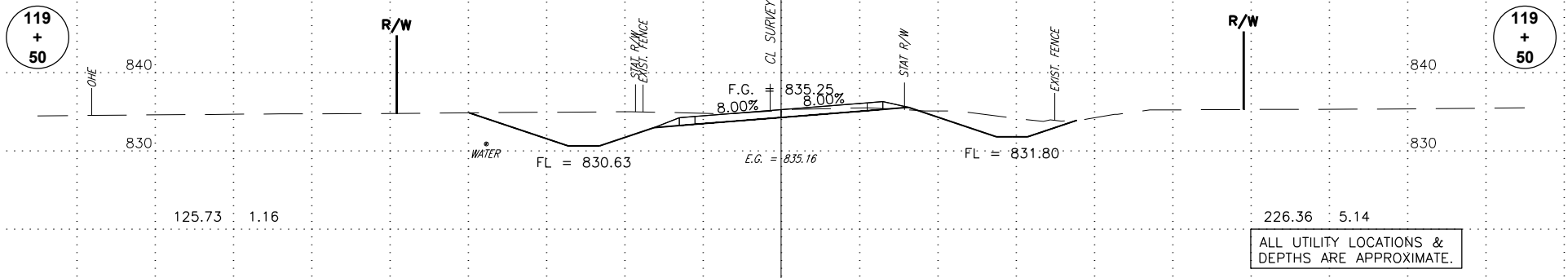
VOLUME  
C.Y.  
EXC. EMB.



WARNING:  
OVERHEAD  
ELECTRIC



STR. NO. 2 STA. 120+00  
CONST. 36" X 22" X 48 L.F.  
RCPA WITH PCES EACH END



ALL UTILITY LOCATIONS &  
DEPTHS ARE APPROXIMATE.

0 5' 10' 20'  
FILE: 13228 WALNUT CREEK LWC - BASEMAP.DWG  
DATE: 4/13/17 STATE JOB PIECE NO. 28448(04) SHEET NO. X002

100 90 80 70 60 50 40 30 20 10 C.R.L. 10 20 30 40 50 60 70 80 90 100